

Genius AB-3G

Nitrogen/Dry Air Generator for
Sciex Mass Spectrometers

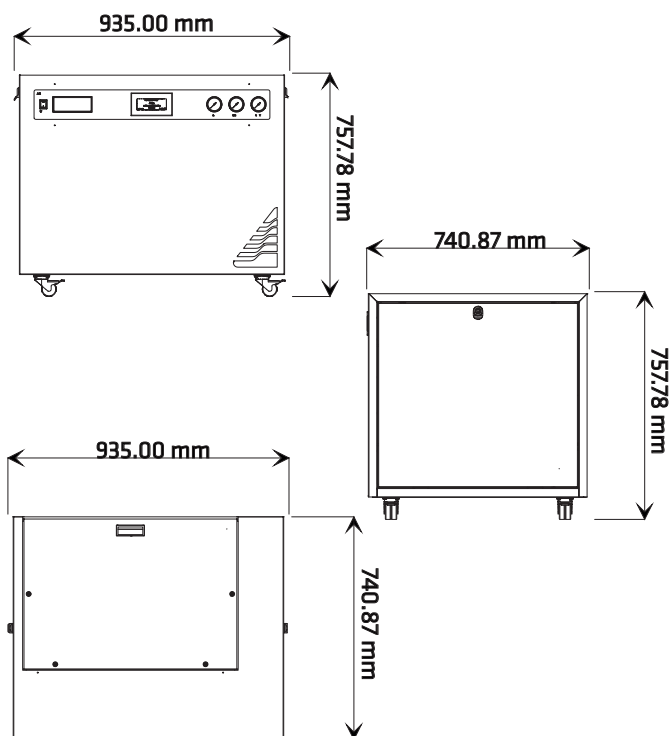
Description

The Genius AB-3G has been designed to provide a continuous and reliable gas supply to meet the precise requirements of several Sciex LC-MS instruments. A three gas system, the AB-3G provides nitrogen and dry air to supply curtain, source and exhaust gas; additionally the generator benefits from three integrated compressors with redundancy, making it a complete standalone solution for mission-critical applications.

The AB-3G is based on Peak Scientific's Genius series of generators: designed mainly for LC-MS applications, are self-contained systems featuring integrated compressors, delivering laboratory-grade nitrogen at a range of pressures and flow rates to satisfy the requirements of a wide selection of instruments.

Applications

- Ideal as continuous gas source for Sciex Mass Spectrometers including 4500, 4600 and 5500 (without SelexION)
- Specially designed for critical applications



Genius Ab-3g Dimensions

Key Features

- Additional compressor capacity to ensure continuous operation in unlikely event of one compressor failure
- Engineered specifically for Sciex instruments
- Built to ensure uninterrupted supply of gas for clinical applications
- Advanced alarms in the unlikely event of product issues
- Generator has the capacity to self-diagnose and inform when maintenance is required
- Minimal set-up required
- Highly economical source of nitrogen gas with low lifetime running costs
- Gas is supplied on demand so generator works to your schedule
- Compressors are housed in an insulated compartment to reduce noise and vibration
- 12 month comprehensive on-site warranty

Technical Specifications	Genius AB-3G	Genius AB-3G Hi-flow
Curtain Gas (Nitrogen)	12 L/min @ 80 psi	12 L/min @ 80 psi
Source Gas (Dry Air)	24 L/min @ 110 psi	24 L/min @ 110 psi
Exhaust Gas (Dry Air)	8 L/min @ 60 psi	14 L/min @ 60 psi
Min/Max Operating Temperature	5°C - 30°C / 41°F - 86°F	5°C - 30°C / 41°F - 86°F
Max Relative Humidity	70%	70%
Max Altitude	2000 Meters	2000 Meters
Particles	< 0.01µm	< 0.01µm
Gas Outlets	3 x 1/4" BSP Female	3 x 1/4" BSP Female
Phthalates	None	None
Suspended Liquids	None	None
Electrical Requirements	230v 50/60Hz 9.6A	230v 50/60Hz 9.6A
Power Consumption	2185 watts	2185 watts
Generator Dimensions (HxWxD)	753 x 900 x 730 mm/29.6 x 35.4 x 28.7 in	753 x 900 x 730 mm/29.6 x 35.4 x 28.7 in
Generator Weight	145Kg (319bs)	145Kg (319bs)

Ordering Information		
Part Number	10-8010	10-8015
Japan Part Number	N/A	10-8015J
Annual Service	08-4778	
Standard Maintenance Plan	09 - 3110	
Complete Maintenance Plan	09 - 3110	



It should be noted that the gas pressures and flows are factory set. The pressures shown on the Generator front panel are in excess of the maximum inlet pressure of the Mass Spectrometer. This is to allow for known pressure drops. These settings have been approved by SCIEX.

[PEAK Protected]™

Peak Scientific gas generators define the benchmark in reliability, convenience and performance in laboratories around the world, and come backed by a 12 month warranty. Beyond this period however you can ensure that your investment continues to be **[Protected]** by our comprehensive generator care cover.

Our world-class aftercare support packages deliver a program of scheduled preventative maintenance whilst giving you the reassurance of instant access to worldwide technical support and priority on-site response in the untimely event of a breakdown.

Peak Scientific UK
Tel: +44 (0)141 812 8100
Fax: +44 (0)141 812 8200

Peak Scientific North America
Tel: +1 866 647 1649
Fax: +1 978 608 9503

For a full list of our worldwide office locations, please visit:

Web: www.peakscientific.com
Email: marketing@peakscientific.com

Peak Scientific's Quality Management System conforms to: ISO:9001:2008



FM 515973



Product Certifications

