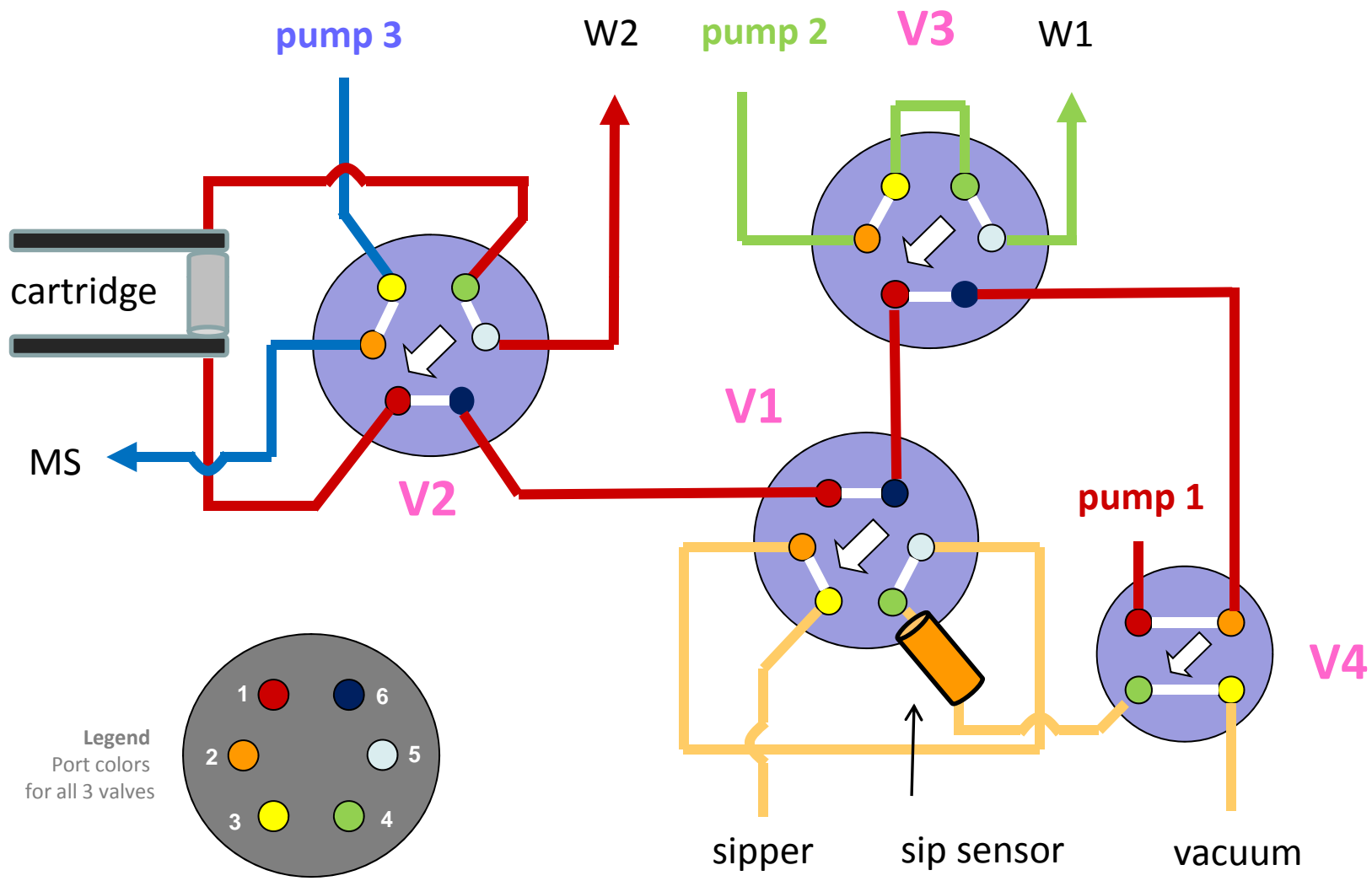
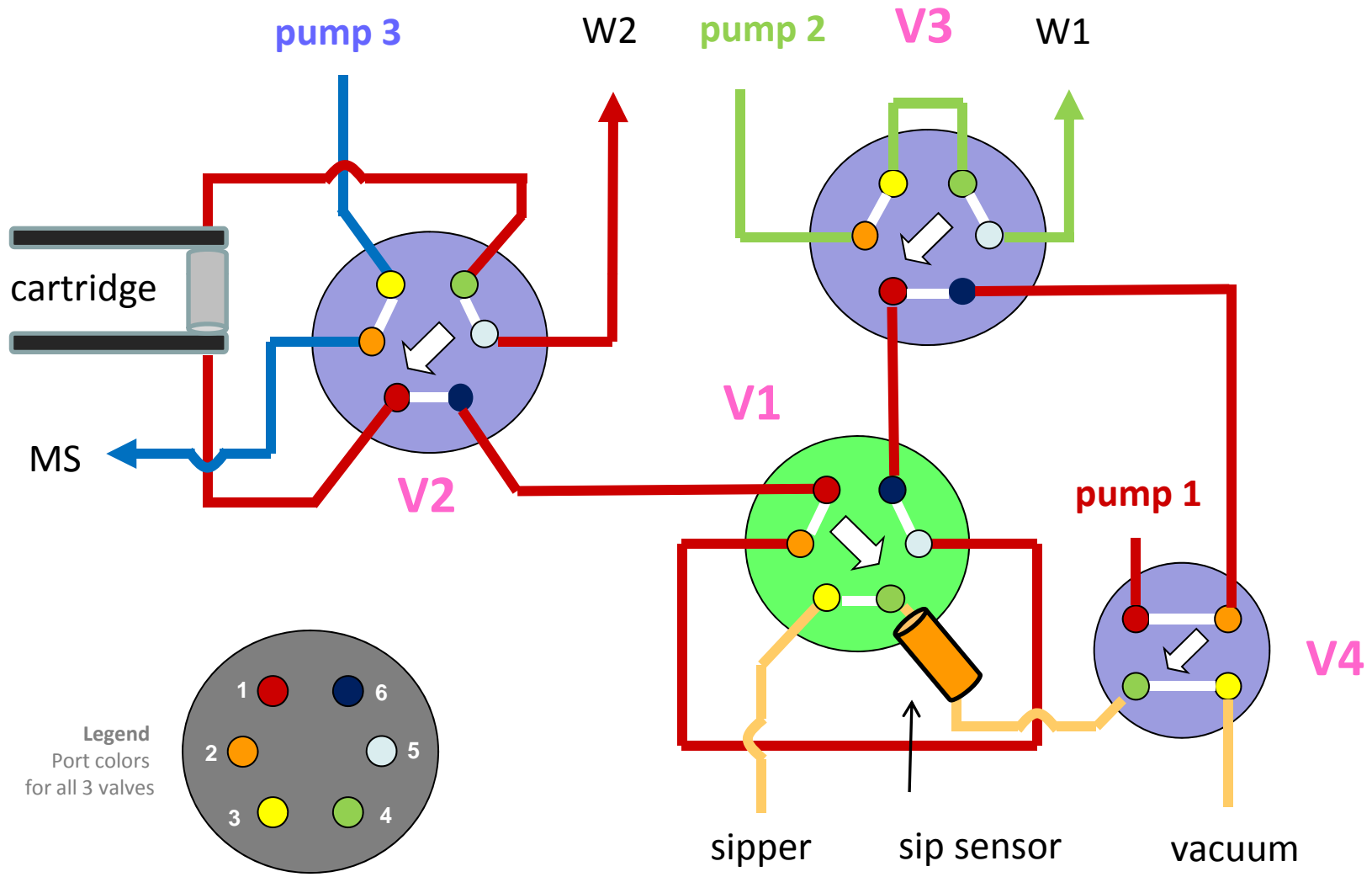


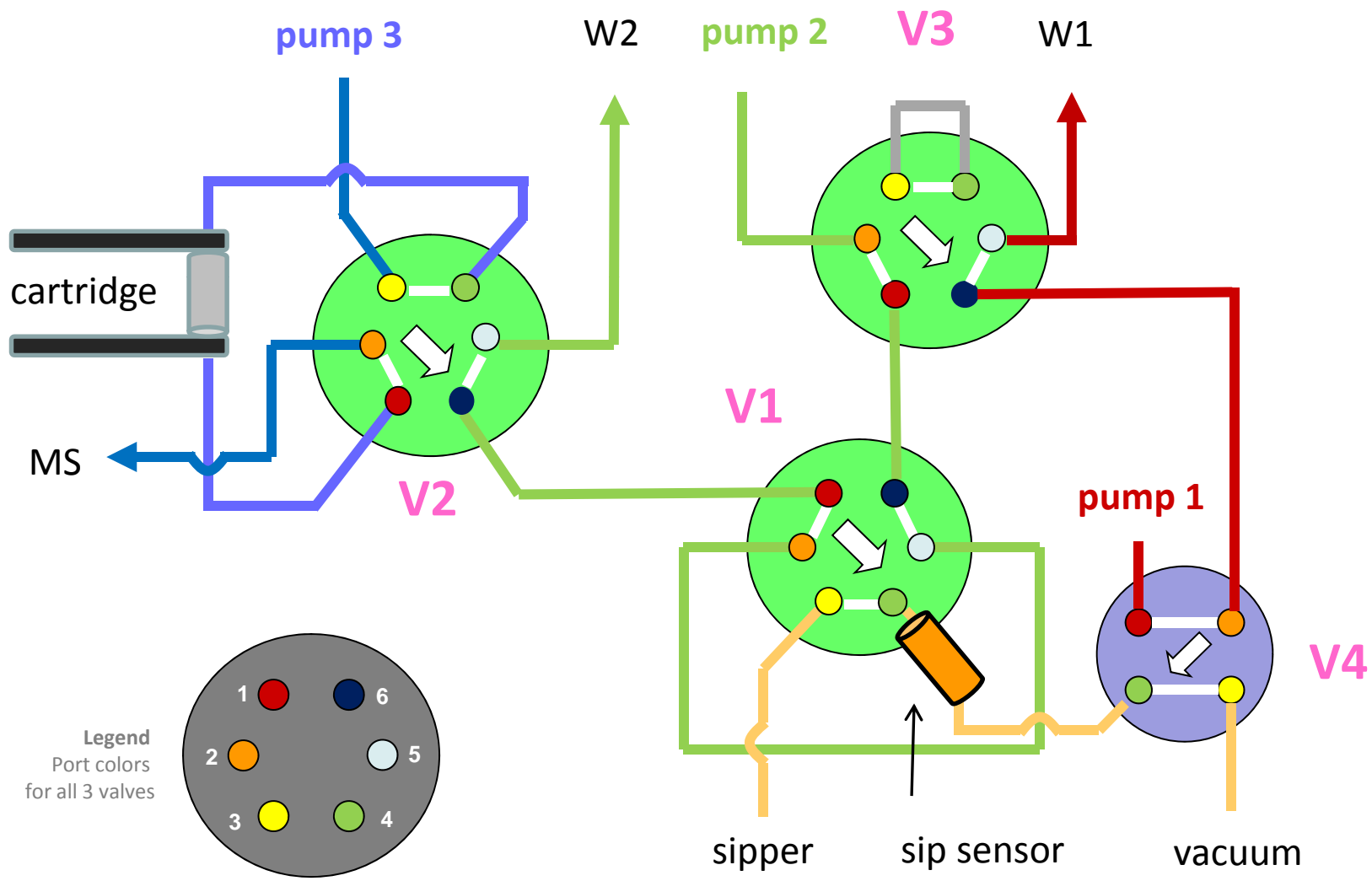
State # 1: Aspirate



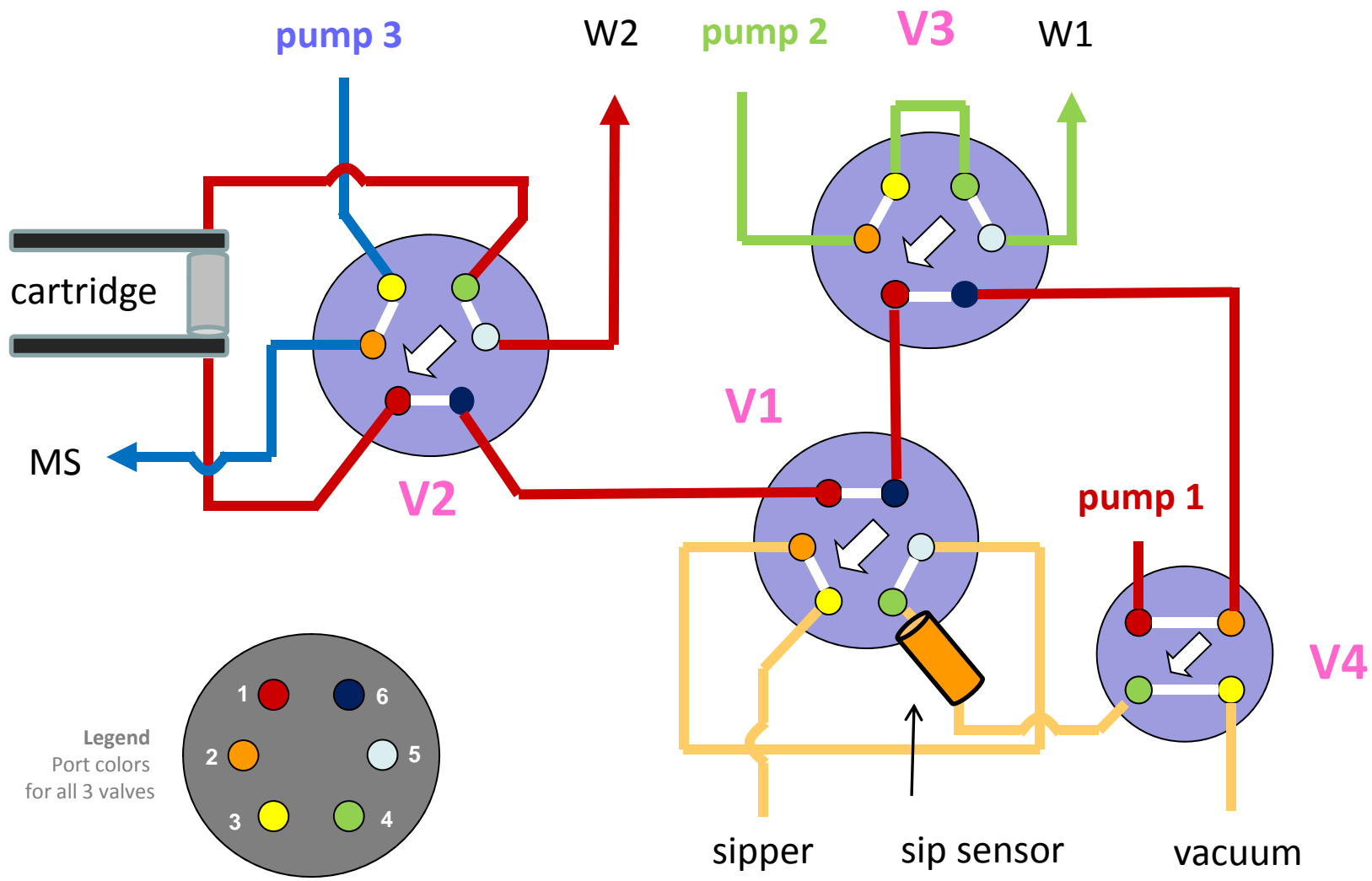
State # 2: Load / Wash



State # 3: Elute



State # 4: Re-equilibrate



Flush the sipper tube

