

# NM18-45L Site Preparation Guide



## Contents

Customer Responsibilities	3
Change History	4
Related Manuals	4
Safety Notices	5
Safety Notice to Users	5
Technical Specifications	6
Site preparation	7
Environmental control	7
Space provision	8
On-Site Transit	9
Unpacking	10
Space Required	10
Unboxing	10
Tubing lengths	11
Copper Tubing	11

## Customer Responsibilities

To ensure a successful and timely installation of your Peak generator, please refer to this set of requirements.

Correct site preparation is the first key step in ensuring that your generator and systems operate reliably over an extended lifetime.

This document is an information guide and checklist that outlines the requirements for your site.

**It is essential your site meets the following specification prior to the installation date.**

**For details, see specific sections within this document**

- The necessary spatial requirements are met.
- The correct environment is provided for the generator.
- Adequate exhaust ventilation is provided.
- The correct tubing lengths and diameters are used in relation to the distance from the instrument.

Failure to meet the Site requirements of your Peak generator as stated above and detailed in this document could result in the unit underperforming and **possible loss of warranty.**

**Please sign below to confirm your compliance with the aforementioned requirements.**

Once complete please return to Peak Scientific, or whomever the unit was purchased from.

Return addresses can be found on the back page of this document.

Name: \_\_\_\_\_ Company: \_\_\_\_\_

Signed: \_\_\_\_\_ Date: \_\_\_\_\_

Model: \_\_\_\_\_ Cust. Sales Order No.: \_\_\_\_\_

## Change History

Rev.	Comment	Name	Date
1			
2			
3			
4			



## Related Manuals

Document number	Manual name	Description
UM-NM18-45L	NM18-45L User Manual	Describes the operation of the generator and all service requirements. Supplied with the generator.
IG-NM18-45L	NM18-45L Installation Guide	Details the installation process of the generator. Supplied with the generator.

## Safety Notices

### Symbols

This manual uses the following symbols to highlight specific areas important to the safe and proper use of the Generator:

	<p>A <b>WARNING</b> notice denotes a hazard. It calls attention to an operating procedure, process or similar, which if not correctly performed or adhered to, could cause personal injury or in the worst case death. Do not proceed beyond a <b>WARNING</b> notice until the indicated conditions are fully understood or met.</p>
	<p>A <b>CAUTION</b> notice denotes a hazard. It calls attention to an operating procedure, process or similar, which if not correctly performed or adhered to, could cause damage to the Generator or the application. Do not proceed beyond a <b>CAUTION</b> notice until the indicated conditions are fully understood or met.</p>

### Safety Notice to Users



This site preparation guide must be read thoroughly and understood before installation and operation of your Peak NM Generator. Incorrect preparation or use of the Generator in a manner not specified by Peak Scientific MAY impair the SAFETY provided by the equipment.



When handling, operating or preparing for installation, personnel must employ safe practices and observe all relevant local health and safety requirements and regulations. The attention of UK users is drawn to the Health and Safety at Work Act 1974.

## Technical Specifications

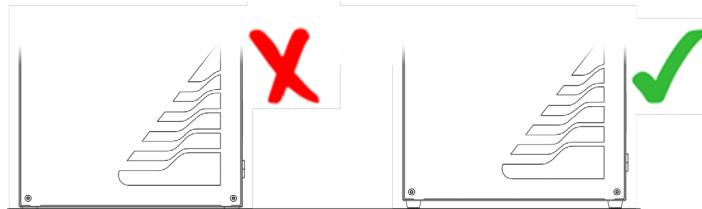
	<b>NM18L</b>	<b>NM32L</b>	<b>NM45L</b>
Max gas output flow	18 l/min	32 l/min	45 l/min
Maximum Pressure Drop Outlet Inlet	Input dependent		
Max pressure drop	8 psig		
Min inlet air requirement	50 l/min	90 l/min	135 l/min
Min/Max air inlet pressure	8.3-10 bar / 120-145 psi		
Dew Point	-40°C / -40°F		
Min/Max air operating temperature	5°C-30°C / 41°F-86°F		
Maximum relative humidity	70%		
Particles	<0.01µm		
Electrical requirements	None		
Dimensions (cm/ins) WxDxH	47x16x76 / 19x7x30		
Shipping Weight (kg/lbs)	18/39	18/39	20/44

# NM18-45L Site Preparation Guide

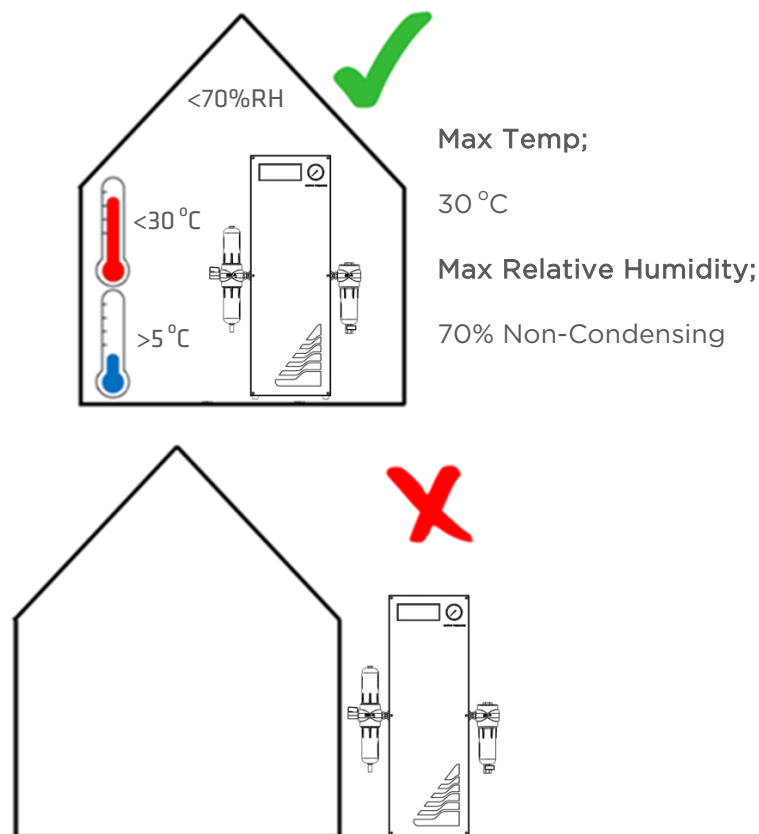
## Site preparation

### Environmental control

The generator must remain on its feet to allow air intake from the bottom of the generator.



If the generator is stored in an enclosed space the environment must be controlled via an air conditioner or extraction fan.

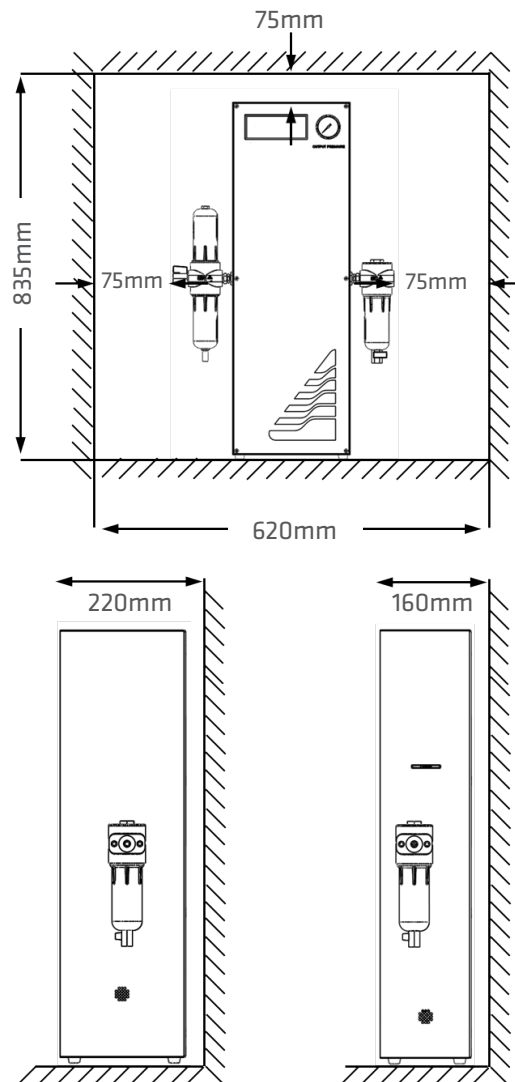


**Generator MUST NOT be stored or installed outside.**

# NM18-45L Site Preparation Guide

## Space provision

The minimum space should be provided as follows....



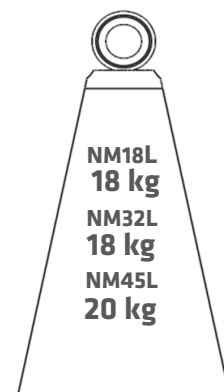
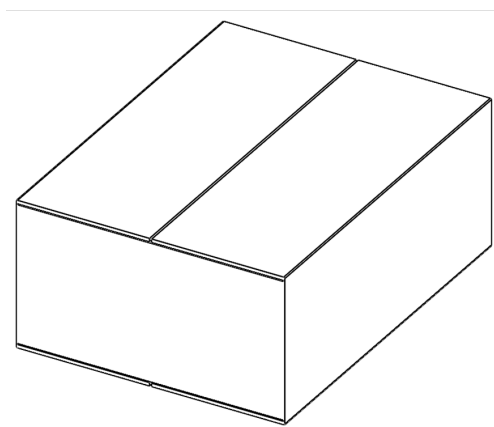
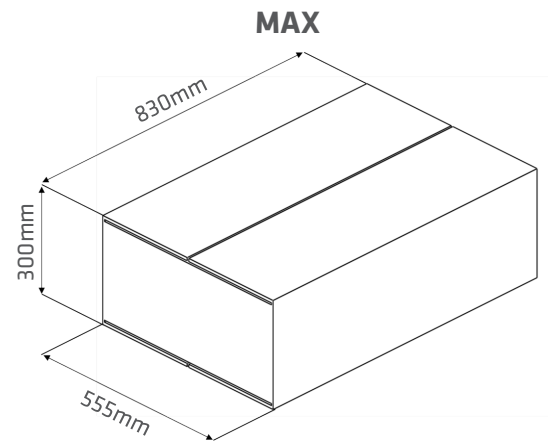
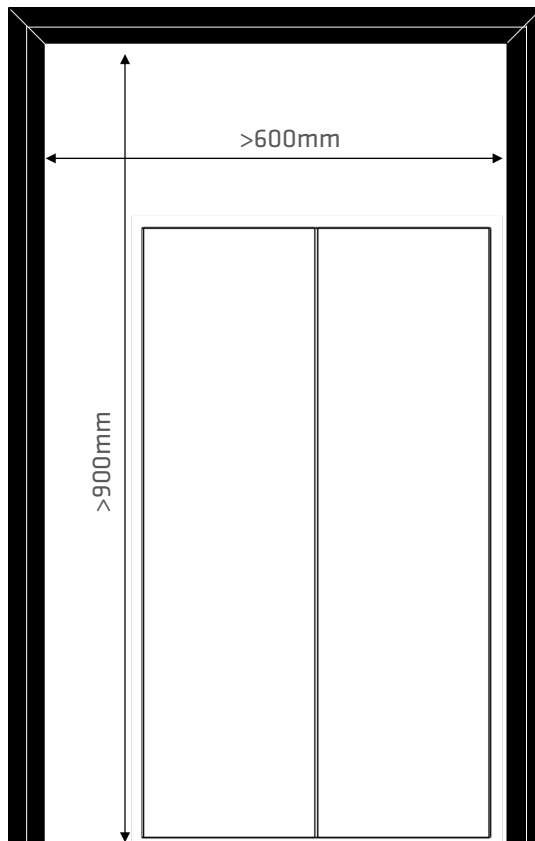
Failing to provide adequate cooling space around the generator may cause damage to the membranes. This will reduce service life and invalidate warranty.



# NM18-45L Site Preparation Guide

## On-Site Transit

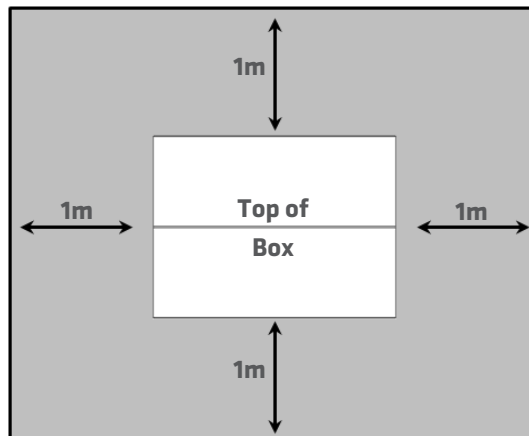
When moving the generator in its shipping crate, doorways and other openings such as elevators must fit with the sizes in the figure below.



## Unpacking

### Space Required

The image below shows the minimum space required to unpack the generator from its shipping box.

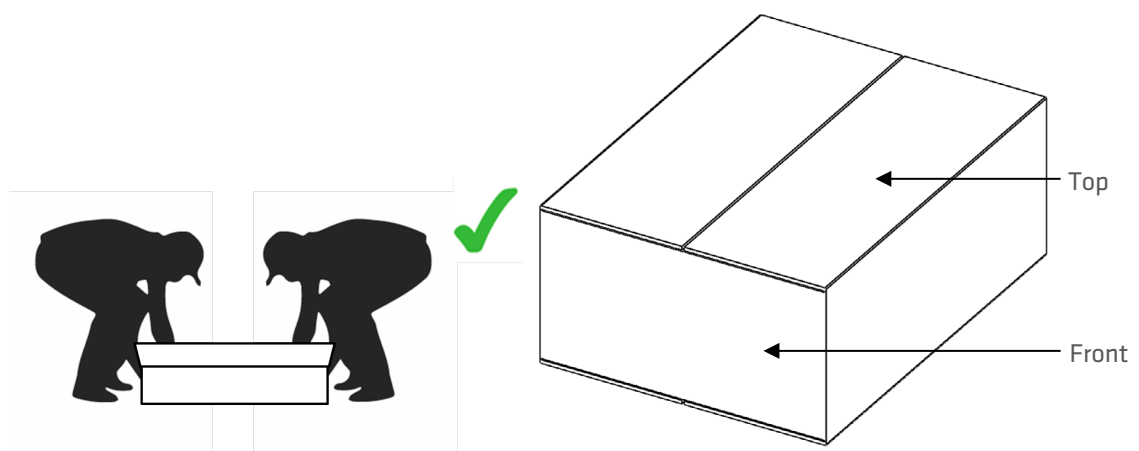


### Unboxing

The top of the shipping box should be carefully opened and the cardboard insert removed.

The generator weighs 20 kg max and as such Peak recommends a two-man lift. Ensure safe lifting practices are adhered to.

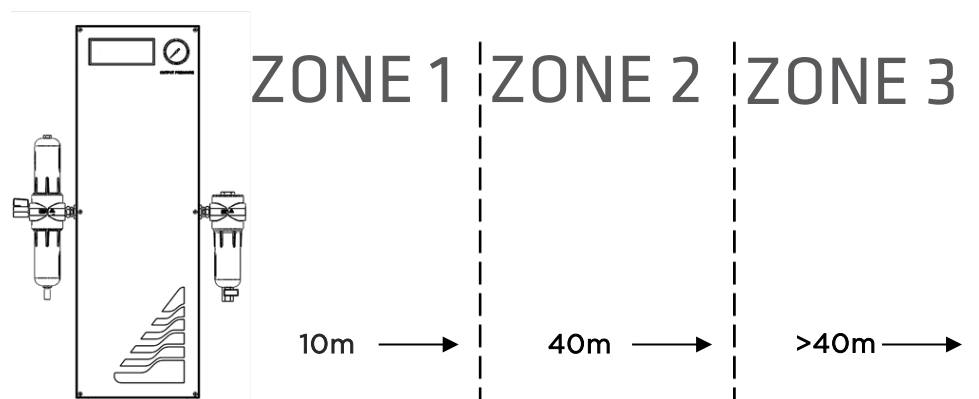
All packaging should be retained for future transit.



# NM18-45L Site Preparation Guide

## Tubing lengths

Tubing sizes should be chosen with accordance to the diagram below.

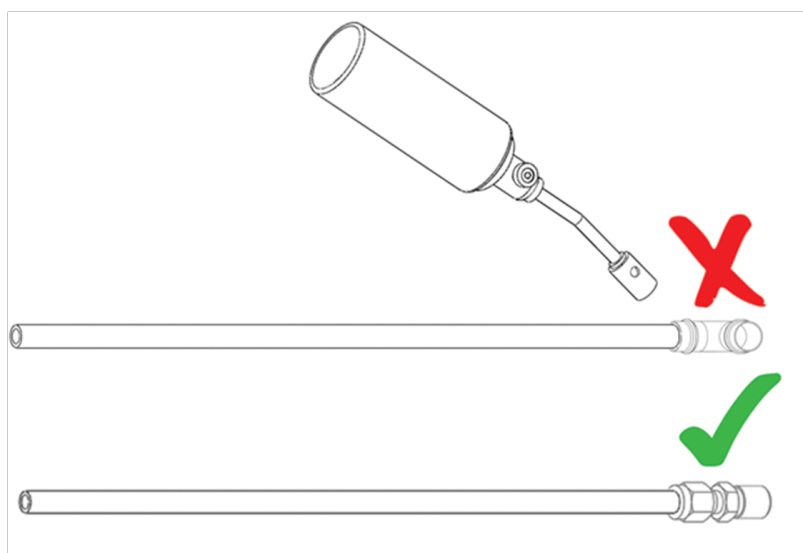


Zone	Distance from Instrument	Tubing Thickness OD/ID mm (Inches)
1	Up to 10m	6mm/4mm (1/4" 3/16")
2	Up to 40m	10mm/8mm (3/8" 5/16")
3	Over 40m	Consult Peak Scientific



The diameter of the tubing which will be connected to the gas outlet is important and is determined by the length of tubing required. Failure to follow these recommendations could lead to accelerated compressor wear.

## Copper Tubing



Soldering may lead to contamination. Compression fittings recommended.

**Peak Scientific UK**

Fountain Crescent  
Inchinnan Business Park  
Inchinnan  
PA4 9RE  
Scotland, UK

**Tel:** +44 (0)141 812 8100  
**Fax:** +44 (0)141 812 8200

**Peak Scientific Germany**

Herriotstrasse 1  
60528 Frankfurt

Germany

**Tel:** +49 (0)69 677 33 490  
**Fax:** +49 (0)69 677 33 200

**Peak Scientific Taiwan**

4F.-6, No.736  
Zhongzheng Rd.  
Zhonghe Dist.  
New Taipei City

**Tel:** +886 2 8226 2383  
**Fax:** +886 2 8226 9499

**Peak Scientific North America**

19 Sterling Road  
Suite #1  
Billerica, MA 01862

USA

**Tel:** +1 866 647 1649  
**Fax:** +1 978 608 9503

**Peak Scientific China**

Room 606 Building 1  
Lane 2277 Zuchongzhi Road  
Pudong New Area  
Shanghai  
201203, China

**Tel:** +86 21 5079 1190  
**Fax:** +86 21 5079 1191

**Peak Scientific Brazil**

Peak Scientific Brasil  
Av. Quieroz Filho  
1700 - torre Sunny-Conj. 602  
São Paulo SP Brasil

**Tel:** +1 866 647 1649

**Peak Scientific India**

202, Amsri Shamira  
Old Lancer Line  
Opp. St. Mary's Degree College  
S.D. Road Secunderabad  
500 025, India

**Tel:** +91 40 2780 0663  
**Fax:** +91 40 2780 0663

**Peak Scientific Mexico**

Solon 352  
Col. Los Morales Polanco  
11530 Mexico, D.F.

Mexico

**Tel:** +1 866 647 1649  
**Fax:** +1 978 608 9503

**Peak Scientific Japan K.K.**

2-7-56, 2F Fuji Building 28  
Kita Aoyama, Minato-Ku  
Tokyo, Japan  
107-0061

**Tel:** +81 3-6864-0468

**Peak Scientific Africa**

PO Box 478  
Somerset Mall  
7137

South Africa

**Tel:** +27 (0)2185 16542  
**Fax:** +27 (0)8654 64473

**Peak Scientific Australia**

PO Box 65  
Belmont  
Victoria 3216

Australia

**Tel:** +61 1300 965 352

**Peak Scientific Singapore**

3 Science Park Drive  
#03-14 The Franklin  
Science Park Drive 1  
Singapore, 118223

**Tel:** +65-6777 1966  
**Fax:** +65-6777 1978