

NM-3G

Nitrogen Generator

Part Number : 10-8030

Service Kit : See Reverse



Your local gas generation partner

Description

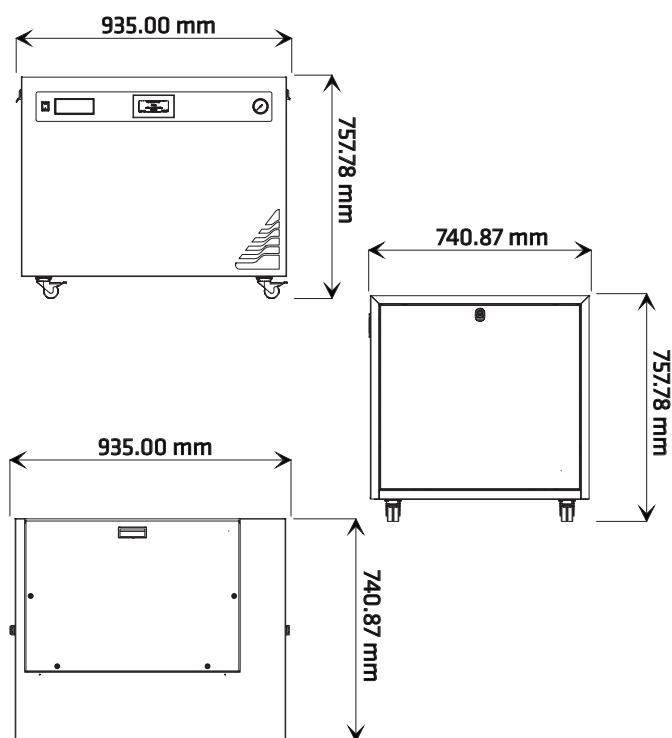
The Genius Series of nitrogen only/nitrogen & dry air gas generators are self contained systems with high performance internal compressors resulting in a robust and dependable LC-MS gas supply for the lab.

Engineered specifically for mission-critical applications requiring maximum uptime, the NM-3G possesses a variety of extra precautionary features, including highly robust integrated compressors with additional load capacity, self-diagnostics and an alarm system to notify of any performance issue.



Applications

- LC-MS in time-critical and emergency applications



NM-3G Dimensions

Key Features

- Additional compressor capacity to ensure continuous operation in unlikely event of one compressor failure
- Highly economical source of nitrogen gas with low lifetime running costs
- Advanced alarms in the unlikely event of product issues
- Minimal set-up required
- Generator has the capacity to self-diagnose to inform when maintenance is required
- Gas is supplied on demand so generator works to your schedule
- Compressors are housed in an insulated compartment to reduce noise and vibration
- 12 month comprehensive on-site warranty

Technical Specifications

	Genius NM-3G
Max Flow Rate	32 L/min @ 100 psi
Min/Max Operating Temperature	5°C - 30°C / 41°F - 86°F
Max Relative Humidity	70%
Max Altitude	2000 Meters
Particles	< 0.01µm
Gas Outlets	1 x 1/4" BSP Female
Phthalates	None
Suspended Liquids	None
Electrical Requirements	230v 50/60Hz 9.5A
Power Consumption	2185 watts
Generator Dimensions (HxWxD)	753 x 900 x 730 mm/29.6 x 35.4 x 28.7 in

Ordering Information

	Genius NM-3G
Part Number	10-8030
Annual Service Kit	Visit: www.peakscientific.com/ordering
Fixed Price Preventative Maintenance	
Complete/Premium Maintenance Plan	

[PEAK Protected]TM

Peak Scientific gas generators define the benchmark in reliability, convenience and performance in laboratories around the world, and come backed by a 12 month warranty. Beyond this period however you can ensure that your investment continues to be **[Protected]** by our comprehensive generator care cover.

Our world-class aftercare support packages deliver a program of scheduled preventative maintenance whilst giving you the reassurance of instant access to worldwide technical support and priority on-site response in the untimely event of a breakdown.

Peak Scientific UK
 Tel: +44 (0)141 812 8100
 Fax: +44 (0)141 812 8200

Peak Scientific North America
 Tel: +1 866 647 1649
 Fax: +1 978 608 9503

For a full list of our worldwide office locations, please visit:

Web: www.peakscientific.com
 Email: marketing@peakscientific.com

Peak Scientific's Quality Management System conforms to: ISO:9001:2008



Product Certifications

