

Transportable NO<sub>x</sub>-O<sub>2</sub> Analyzer

# NOA-7100



# All-in-One Measure

The portable all-in-one NO<sub>x</sub>-O<sub>2</sub> analyzer can be used for various purposes a variety of uses in various locations.

ment



# Designed for Easy Operations

Offering the same accuracy, reliability, and ease of maintenance of the proven previous model, the NOA-7000 also provides support for USB flash drives, and wired and wireless data transmission. It maintains an abundance of features such as NOx conversion operation, mobile average output, and response speed switching, plus easy, more convenient operation.

## Perfect for On-Site Measurements

### All-in-One & Transportable

All pretreatment parts required for measurement, such as the pump, filter, and electric cooler, are built-in. Gas concentration can be measured by simply introducing sample gas to the sample gas inlet port.



Recessed handle

### Designed for Easy Maintenance

Consumables such as filters and the absorber are located at the front of the instrument to facilitate replacement.



Filter and absorber



## Smooth Operability

### Front Controls

The NOA-7000 adopts easy-to-use screen configurations and key operations from preceding models. The monitor can display measurement values and trend data for up to three constituents. Gas switching, flow rate adjustment, and gas connection are controlled on the front of the instrument to facilitate operation.

### Output Data to USB Flash Drives

Outputting Data to USB Flash Drives  
Measurement data is stored in the built-in memory of the analyzer. Data can be retrieved in CSV file format using USB flash drives. This facilitates data processing on a computer.  
(Measurement data can be retrieved via Wi-Fi connection or LAN cable connection.)



## Data Confirmation On Easy-to-Understand Screen

### Wireless Data Communication

Wi-Fi wireless data transmission is now available. It is now possible to monitor measurement values and acquire data using a smart device or computer equipped with Wi-Fi. This eliminates the need to bring a recorder to the measurement site or to make wired connections, and enables analysis while taking measurements.

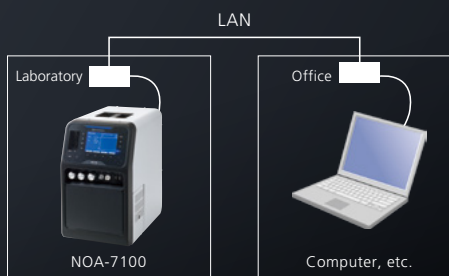


Trend display

## Data Monitoring From a Remote Location

### LAN Cable Connection

LAN connection enables users to check measurement values and variations in concentration. It is possible to access measurement data via the intranet even when not in the office or laboratory.

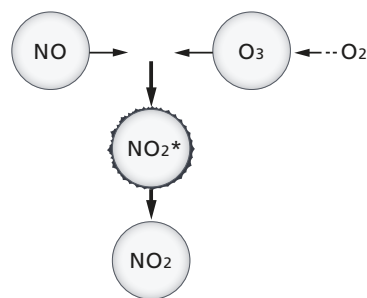


## Supporting NO and NO<sub>2</sub> Measurement

Mounting special accessories, such as the NO<sub>x</sub>-NO switching solenoid valve set, enables users to measure NO by bypassing the NO<sub>2</sub> converter. It is also possible to measure the NO<sub>2</sub> concentration by calculation (NO<sub>x</sub>-NO). Simultaneous display of nitrogen oxides (NO<sub>x</sub>), NO, and NO<sub>2</sub>, and parallel outputs are also supported.

### Principle of Chemiluminescence

If NO (nitrogen monoxide) gas and O<sub>3</sub> (ozone) gas come in contact with each other, NO is oxidized, producing NO<sub>2</sub> (nitrogen dioxide) gas. As shown in the figure on the right, the NO<sub>2</sub> concentration is measured by detecting light emitted from NO<sub>2</sub> gas by a sensor. The chemiluminescence method has been adopted for a large number of NO<sub>x</sub> analyzers because it offers excellent linearity and sensitivity with less interference.





Principle of chemiluminescence

Offers NOx measurements for applications ranging from exhaust gas measurement of combustion equipment to combustion and denitrification research.

The NOA-7100 supports eight ranges of NOx measurements, from 25 ppm to 4000 ppm.

### Type 1



| Main Application   | Measurement Components | Measurement Range  | Configuration   |
|--|------------------------|--|---|
| Combustion Equipment Test /<br>Research<br> | NOx<br>O <sub>2</sub>  | NOx: 0 – 25/50/100/<br>250/500/1000/<br>2500/4000 ppm<br>O <sub>2</sub> : 0 – 5/10/25 vol% |  <ul style="list-style-type: none"> <li>•NOA-7100</li> <li>•Drain separator</li> </ul> |

A drain separator set is provided as standard with Type 1.

Both 100 ml/min small flow measurement and NO/NO<sub>2</sub> measurement are available.

It also supports measurement of miniscule sample gas flow rate of 100 mL/min, and is able to measure limited sample gas flow rate for applications such as catalyst research. The NO<sub>2</sub>-converter bypass feature also enables NO measurement. NO<sub>2</sub> concentration can also be measured by calculation (NOx-NO).

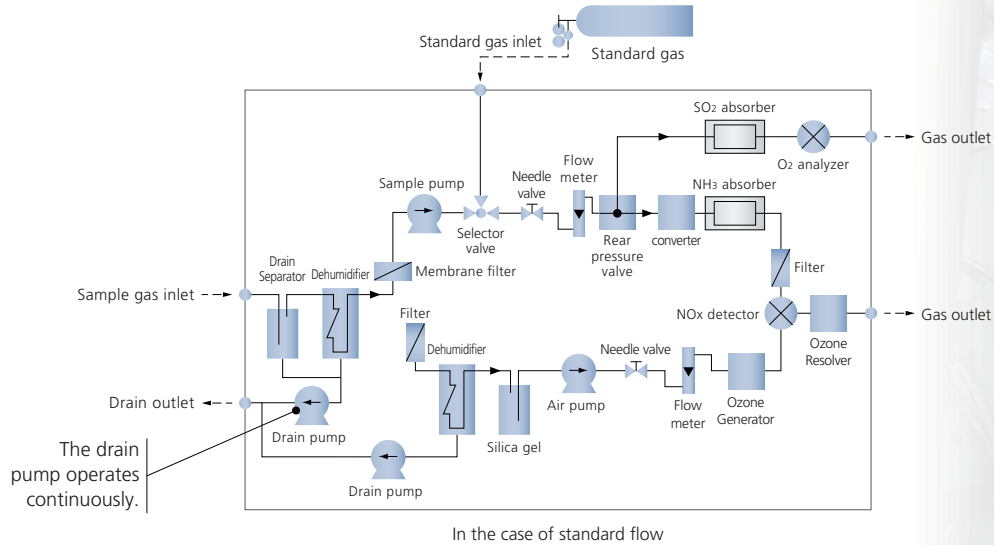
### Type 2

| Main Application   | Measurement Components       | Measurement Range  | Configuration   |
|--|------------------------------|--|---|
| Catalyst research<br> | NOx<br>NO<br>NO <sub>2</sub> | Nox, NO <sub>2</sub><br>0 – 100/250/500/<br>1000/2500/4000 ppm |  <ul style="list-style-type: none"> <li>•NOA-7100<br/>(Small flow rate set)</li> </ul> |

A drain separator is not provided with Type 2.

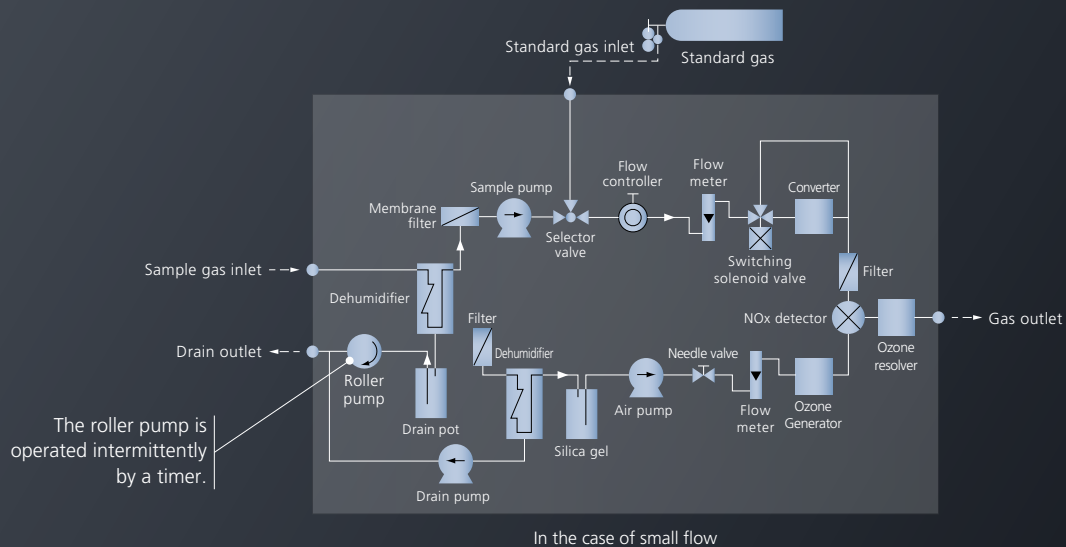
## Same Simple Flow Configuration as Previous Models

Because there are fewer moving parts, the flow is simple with less room for problems.



## Timer Automatically Discharges Drainage Liquid

Sample gas is dehumidified by the built-in cooler unit, and the drainage liquid is automatically eliminated by a roller pump operating intermittently at the frequency set on the screen.



# Specifications

## Standard type

Two standard types are available.

|                                      | Type 1  | Type 2  |
|--------------------------------------|---|---|
| Measurement components               | NOx, O <sub>2</sub>   | NOx, NO, NO <sub>2</sub> (*1)                                       |
| Measurement range                    | NOx: 0-25/50/100/250/500/1000/2500/4000 ppm<br>O <sub>2</sub> : 0-5/10/25 vol%  | NOx, NO, NO <sub>2</sub> :<br>0-100/250/500/1000/2500/4000 ppm (*2) |
| Measurement principle                | NOx: Atmospheric pressure chemiluminescence method; O <sub>2</sub> : Limiting current type zirconia method  |   |
| Repeatability                        | Within ±0.5% of full scale  |   |
| Zero drift                           | Within ±1% of full scale per day (25 ppm range: within ±1.5% of full scale per day)   |   |
| Span drift                           | Within ±1.5% of full scale per day  |   |
| Linearity                            | Within ±2% of full scale  |   |
| Response time (*3)                   | NOx: Approx. 20/30/60 sec (Switching is configurable.)<br>O <sub>2</sub> : Approx. 30/60 sec (Switching is configurable.)   | NOx/NO: Within 90 sec   |
| Gas sample amount                    | Approx. 2 L/min   | 100 mL/min  |
| Display                              | Liquid crystal display, able to display 3 items at a time   |   |
| Transmission output                  | 0-1VDC, 3 channels, insulated output (individual channels not insulated)  |   |
| Wireless data transmission           | Equipped  |   |
| Data output to external media (*4)   | Measurement data stored in the internal memory of the analyzer can be written to USB flash drives in CSV file format; can also be output to a computer via Wi-Fi or LAN cable connection. |   |
| Permissible ambient temperature (*5) | 5-40°C; must not be exposed to direct sunlight or radiant heat  |   |
| Permissible ambient humidity (*5)    | Relative humidity 90%RH or less   |   |
| Power requirements                   | Choose from 110, 115, 120, 127, 220, 230, 240 VAC 50-60 Hz, 100 V series: 410 VA, 200 V series: 700 VA (steady 200 VA)  |   |
| Dimensions                           | W260 × H452 × D420 mm (does not include protrusions)  |   |
| Weight (analyzer)                    | Approx. 16 kg   |   |
| External drain separator             | Fitted  | Not fitted  |
| Sample gas conditions (*6)           | [At NOA-7100 inlet port] Pressure: -980 to + 980 Pa; Temperature: Ambient temperature; Dust: 0.1 g/Nm <sup>3</sup> or less  |   |
| External signal input                | 0-1VDC, 1 channel, Signal input from an external analyzer, display (Data can be saved)  |   |

The following specifications are the same as for the standard model.

Display, transmission output, permissible ambient temperature, permissible ambient humidity, power requirements, dimensions, weight (body), sample gas conditions, external signal input

\*1: NO<sub>2</sub> is measured by calculation (NOx-NO).

\*2: NOx, NO and NO<sub>2</sub> are in the same range. The maximum NO<sub>2</sub> concentration is 300 ppm.

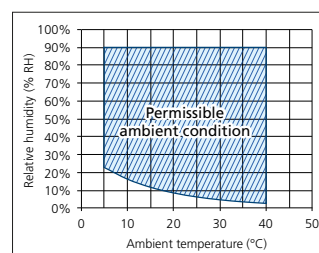
\*3: Time that indicates 90% response from gas flowing from sample gas inlet (flowing gas switching time + electrical system response time).

With Type 2, this will be the response when NOx-NO switching is fixed.

\*4: Check the Shimadzu website for smart devices and USB flash drives for which operation has been confirmed.

\*5: Permissible ambient temperature and humidity are indicated by the shaded part of the figure.

\*6: Sample gas conditions and coexisting gases are summarized below. Please contact your Shimadzu representative if the conditions are not satisfied.



## Special specifications

In addition to the standard model, it is possible to specify constituents, and if the small flow rate set, communication set, or NOx-NO switching solenoid valve set is provided.

|                        |  |
|------------------------|--|
| Measurement components | 1 constituent (NOx) or 2 constituents (NOx, O <sub>2</sub> ) (*6)<br>O <sub>2</sub> cannot be measured if small flow rate set is selected. See small flow rate set page.<br>NO and NO <sub>2</sub> can be measured as well as NOx if NOx-NO switching solenoid valve set is selected.<br>See NOx-NO switching solenoid valve set page. |
| Measurement range      | NOx: 0-25/50/100/250/500/1000/2500/4000 ppm<br>O <sub>2</sub> : 0-5/10/25vol%<br><br>NOx measurement range differs if small flow rate set is selected.<br>See small flow rate set page.  |



| Small flow rate set    | Not fitted  | Fitted                                |
|------------------------|---|---------------------------------------|
| Response time (*3)     | NOx: Approx. 20/30/60 sec (Switching is configurable.)<br>O <sub>2</sub> : Approx. 30/60 sec (Switching is configurable.)                   | NOx: Within 90 sec                    |
| Gas sample amount      | Approx. 2 L/min   | 100 mL/min                            |
| Repeatability          | Within ±0.5% of full scale  |                                       |
| Span drift             | Within ±1.5% of full scale  |                                       |
| Measurement components | NOx or NOx/O <sub>2</sub><br>NO and NO <sub>2</sub> (*1) can be measured as well as NOx if NOx-NO switching solenoid valve set is selected. | NOx                                   |
| Measurement range      | NOx: 0-25/50/100/250/500/1000/2500/4000 ppm<br>O <sub>2</sub> : 0-5/10/25 vol%  | NOx: 0-100/250/500/1000/2500/4000 ppm |

| Communication set                  | Not fitted   | Fitted   |
|------------------------------------|--------------|--|
| Wireless data transmission         | Not equipped | Equipped   |
| Data output to external media (*4) | Not equipped | Measurement data stored in the internal memory of the analyzer can be output to USB flash drives in CSV file format; can also be output to a computer via Wi-Fi or LAN cable connection. |

| NOx-NO switching solenoid valve set | Not fitted | Fitted                        |
|-------------------------------------|------------|-------------------------------|
| Measurement components              | NOx        | NOx, NO, NO <sub>2</sub> (*1) |

This special accessory switches the flow path inside the analyzer between a path that flows through the converter (NOx flow path) and one that does not flow through the converter (NO path).

The switch cycle is selectable from auto (configurable from 1 to 99 minutes), manual, and fixed. If there is significant variation over time in concentrations of NOx, NO, or NO<sub>2</sub> relative to the switching cycle, NO<sub>2</sub> concentration measurement accuracy diminishes.

## Coexisting gas conditions

| Coexisting gases      | NOx, NO, NO <sub>2</sub> measurement        | O <sub>2</sub> measurement  |
|-----------------------|---|---|
| CO                    | -   | Less than 1 vol%  |
| CO <sub>2</sub>       | 30 vol% or less                             | Less than 30 vol%   |
| Hydrocarbon           | -   | Less than 1 vol%  |
| NO <sub>2</sub>       | 300 ppm or less                             |   |
| N <sub>2</sub> O      | -   | Must not be contained   |
| H <sub>2</sub> O      | Ambient temperature saturation not exceeded | Ambient temperature saturation not exceeded   |
| NH <sub>3</sub>       | 20 ppm or less                              |   |
| SO <sub>2</sub>       | 1000 ppm or less                            | 1000 ppm or less (SO <sub>2</sub> absorber replacement cycles varies according to concentration of SO <sub>2</sub> in the sample gas) |
| SO <sub>3</sub>       | 50 ppm or less                              | Must not be contained   |
| Cl <sub>2</sub>       | Must not be contained                       |   |
| HCl                   | Must not be contained                       |   |
| HF                    | Must not be contained                       |   |
| Other flammable gases | Must not be contained                       | Less than 1 vol%  |
| Other corrosive gases | Must not be contained                       |   |

Note 1. Explosive gas (combustible gas and oxygen gas mixture in explosion range) cannot be measured.

Note 2. O<sub>2</sub>: O<sub>2</sub> measurement cannot be added if 1 vol% or less or if CFCs and H<sub>2</sub>S are included. Conditions for 1%FS or less if interference impact of O<sub>2</sub> measurement is minimal (5 vol% O<sub>2</sub>) are as follows:

CO: 1000 ppm or less, CH<sub>4</sub>: 250 ppm or less, NO: 800 ppm or less

Note 3. Since NOx and O<sub>2</sub> have interference on CO<sub>2</sub> in the sample gas, the analyzer is equipped with a feature to reduce interference by setting CO<sub>2</sub> concentration in the sample gas to the analyzer.

# Special accessories

## External drain separator

Placed at the side of the NOA-7100, this is used to remove drainage liquid that forms from sample gas. A drain separator set is provided as standard with Type 1 and the CFP-8000.  
P/N: 638-93218-91



## Sampling probe (with heater) GSP-100

P/N: 630-08284  
Pipe specification: SUS-304, insertion length 700 to 740 mm (Up to 1340 mm can be added)  
Maximum operating temperature: 400°C  
Transformer (option) is necessary.

## Sampling probe

Convenient for sampling gas from indoor experimental reactors, etc.  
P/N: 638-93071-01  
Pipe material and insert length: SUS, 300 mm or less  
Maximum operating temperature: 150°C  
Conduit material and length: PTFE tube,  $\phi 6 \times \phi 8$ , L=5 m

## Gas conduit

Conduit that connects the probe to the NOA-7100, and the standard gas cylinder with the NOA-7100

| P/N       | Specifications                       | Note                       |
|-----------|--------------------------------------|----------------------------|
| 016-37519 | PTFE tube, $\phi 6 \times \phi 8$ mm | For probe                  |
| 016-37517 | PTFE tube, $\phi 4 \times \phi 6$ mm | For standard gas cylinders |

## Signal input cable

Used to input signal from external analysis to the NOA-7100.

| P/N          | Specifications           |
|--------------|--------------------------|
| 638-75038-91 | Arrow clip terminal type |
| 638-75038-92 | Plug terminal type       |

## PC recorder

Analog signals from the NOA-7100 and other analyzers can be loaded to a PC simultaneously.  
P/N: 638-77195-02

## Carrier case

Aluminum carrier case for the NOA-7100.  
P/N: 631-90259



## CFP-8000 pretreatment unit

Used in combination with the NOA-7100 to perform continuous gas measurements. The unit is equipped with a built-in cooler, filters, pump, and flow meter, and enables users to send gas from which dust and moisture have been removed to analyzers in two lines.

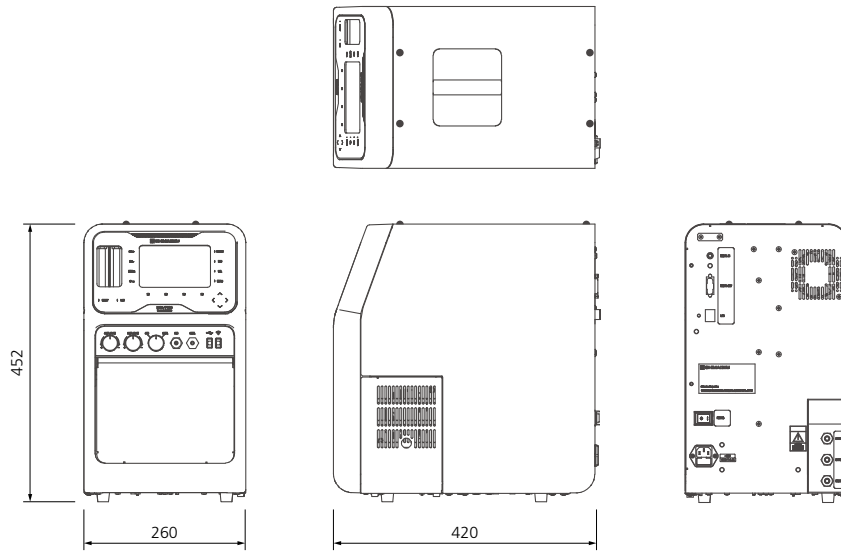
Note: The drain separator set is built the CFP-8000.



|                                    |  |
|------------------------------------|--|
| Intended use                       | Air and other gas samples  |
| Permissible ambient temperature    | 5 to 40°C  |
| Sampling quantity                  | Approx. 5 L/min (maximum)  |
| Filter performance                 | Collection efficiency of at least 99.9% for particles 0.3 $\mu\text{m}$ in diameter  |
| Materials for gas connection parts | Hard glass, rigid PVC, PTFE, fluorocarbon rubber etc.  |
| Gas drain interface                | Sample gas and drain port, 8 mm diameter hose end Calibration gas inlet, 6 mm hose end   |
| Power requirements                 | 110/115/120/127/220/230/240 VAC  |
| Weight                             | Approx. 12 kg  |
| Pump performance (at 50 Hz)        | No-load flow rate 5 L/min  |
| Measurement gas conditions         | Temperature : Ambient temperature (at external drain separator inlet)<br>Pressure: $\pm 980$ Pa<br>Dust: 0.1 g/Nm <sup>3</sup> or less.<br>Must not contain special gases (Cl <sub>2</sub> , HF, etc.) that may affect gas connection parts. |

## External dimensions

(Unit: mm)



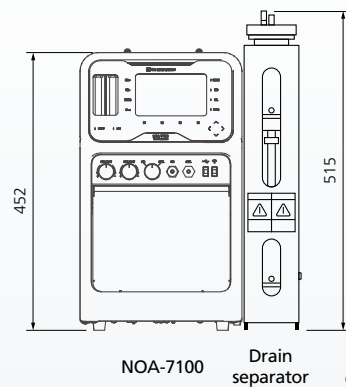
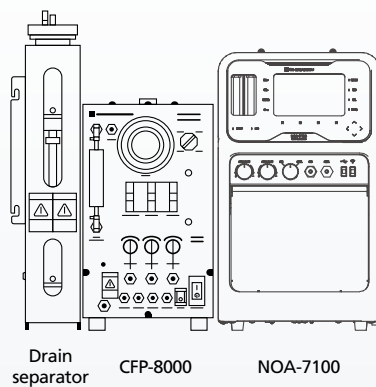
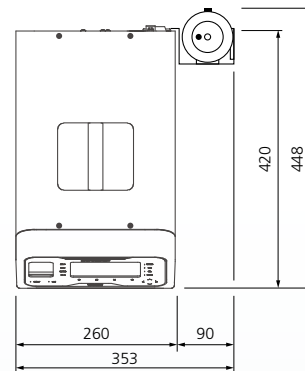
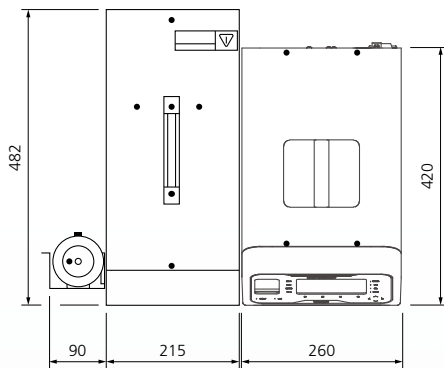
(Does not include protrusions)

## Installation space

(Unit: mm)

Combination with CFP-8000

Combination with drain separator set



(Does not include protrusions)



## CAUTION

- This product does not incorporate any special measures for dealing with leakages of hazardous or flammable gases, in the unlikely event that such situations are encountered. Appropriate measures, such as providing adequate ventilation in the vicinity of this product, must be taken if hazardous or flammable gases are to be measured. This product is not designed to be explosion resistant. It must not be used in dangerous locations, nor should it be used to measure explosive gases.
- Make sure to read the Instruction Manual before using this product.

"Wi-Fi" is a registered trademark of the Wi-Fi Alliance.



Shimadzu Corporation

[www.shimadzu.com/an/](http://www.shimadzu.com/an/)

**For Research Use Only. Not for use in diagnostic procedures.**

This publication may contain references to products that are not available in your country. Please contact us to check the availability of these products in your country.

Company names, products/service names and logos used in this publication are trademarks and trade names of Shimadzu Corporation, its subsidiaries or its affiliates, whether or not they are used with trademark symbol "TM" or "®".

Third-party trademarks and trade names may be used in this publication to refer to either the entities or their products/services, whether or not they are used with trademark symbol "TM" or "®".

Shimadzu disclaims any proprietary interest in trademarks and trade names other than its own.

The contents of this publication are provided to you "as is" without warranty of any kind, and are subject to change without notice. Shimadzu does not assume any responsibility or liability for any damage, whether direct or indirect, relating to the use of this publication.